

Compact cutting Tool

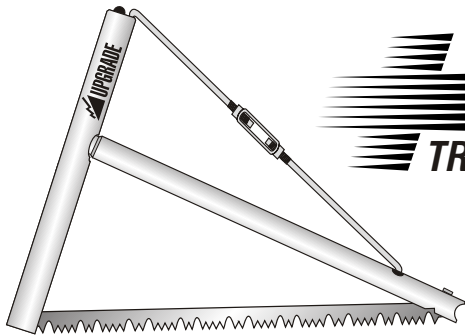
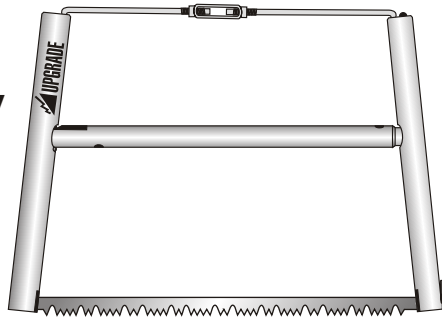
COMBI SAW

2 Frames
up to
3 Blades

For all your cutting needs.



BUCK SAW



TRIANGULAR SAW

- Innovative tool - assembles into buck, pruning and hack saw.
- Blade position allows flush cuts while the large throat gives it deep cutting capacity. The pointed frame allows cuts in tight hard-to-reach areas.
- High-tension aircraft aluminum frame is light and of superior quality.
- The buck saw is perfect for efficient cutting of logs and timber.
- The triangular saw is ideal for pruning and clearing trees. The rigid frame allows cutting hardwood, plastics and metals.
- Stores safely anywhere, protecting its saw blades and all your other valuable tools and equipment.
- Model 10168 includes three and model 10178 one Swedish Steel saw blades.

stores
up to
3 Saw blades

Wood Blade



Bone Blade
(Crosscut)



Metal Blade



Replacement saw blades are readily available.

Other Fine Products

PACK SAW Handy all-round Saw & Campfire Utensil
Triangular Saw & Campfire Cooking Rack
Ultra Light; only 190 g / 6.7 oz

CAMP SAW Multi Purpose Saw & Campfire Utensil
Buck Saw & Triangular Saw
Compact, Strong & Dependable
Weights only 278g / 9.8 oz
Converts into height adjustable Cooking Rack, holding a pot or
CAMP GRILL accessory over heat source

Specification	Description
Storage size	2.6 cm x 36 cm / 1" x 14.2"
Material	Anodized aircraft aluminum tubing / stainless steel
Weight	10168, 315g / 11.1 oz 10178, 270g / 9.5 oz
Length of blade	35cm / 14"
Blade storage capacity Max.	3 saw blades
Wood blade	5 TPI combi-tooth
Crosscut blade (Bone blade)	9 TPI peg tooth
Metal blade	22-24 TPI ,high quality

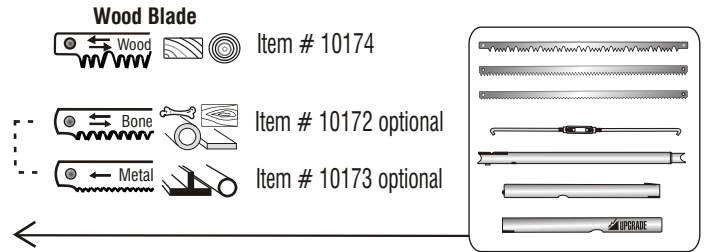
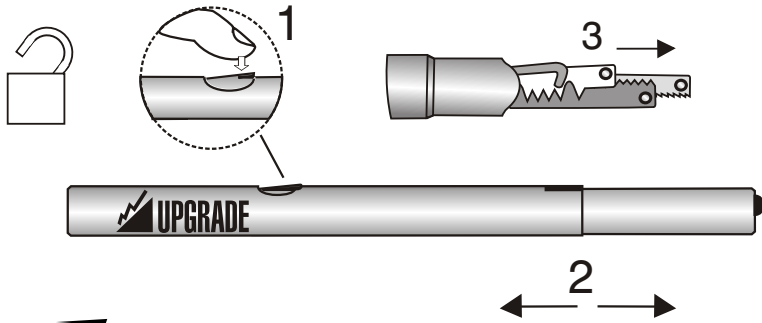


COMBI SAW

2 Frames
up to
3 Blades

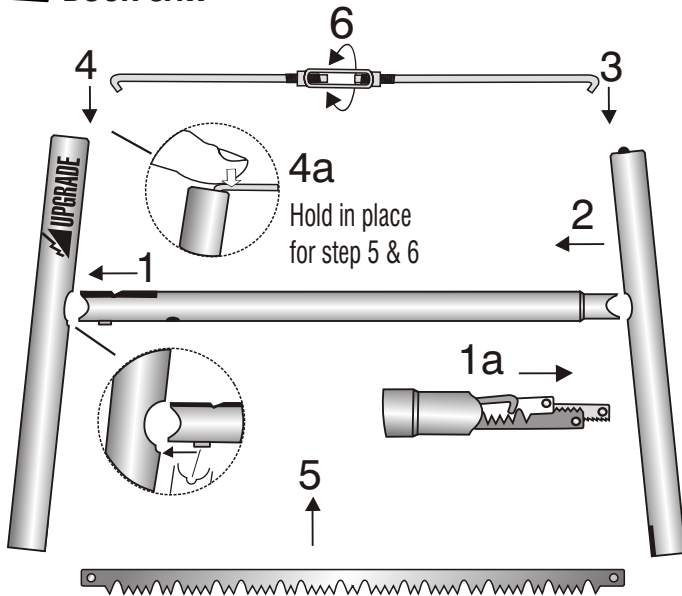
Assembly instructions

Model 10168 comes with 3 Blades - Model 10178 includes Wood Blade

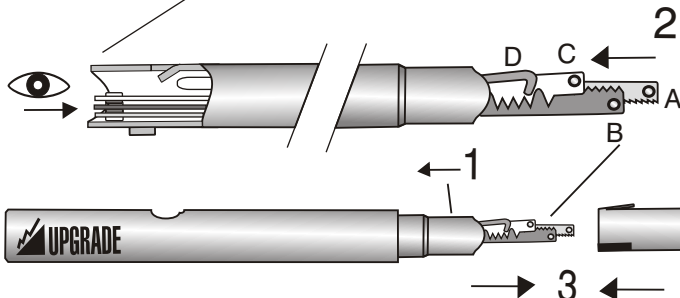
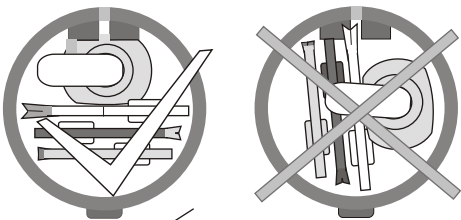
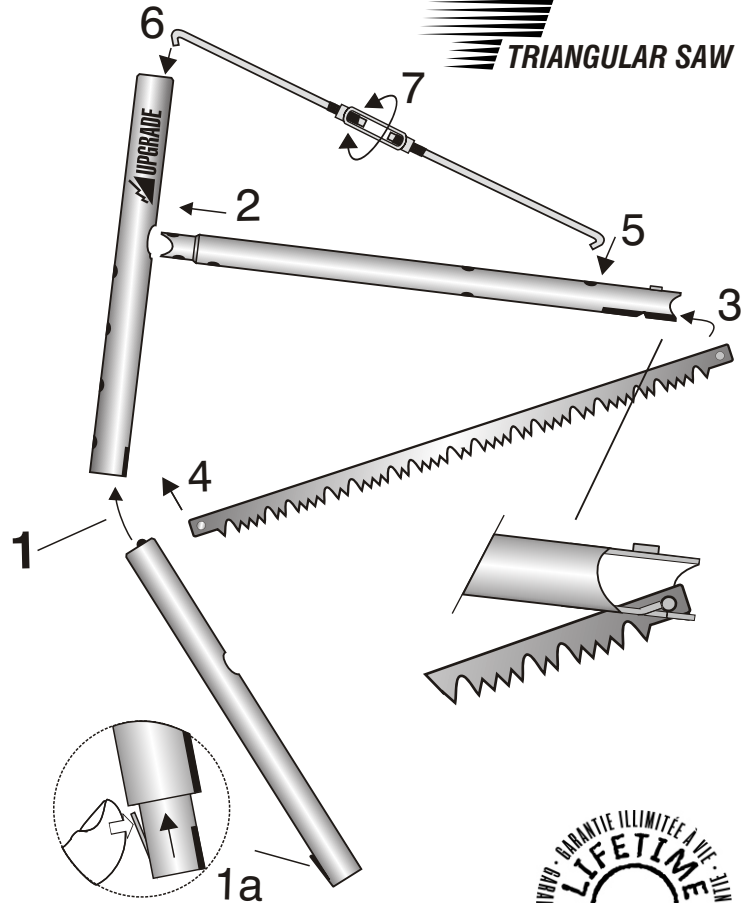


Model 10168
with 3 Blades

BUCK SAW



TRIANGULAR SAW



Store saw blades and tensioner as indicated. Note order and position.



Warning / Advertissement / Advertencia / Warnung



Upgrade Innovations, 1886 Belle Isle Place, North Vancouver BC, V7P 1X8, Canada
e-mail: info@upgradeinnovations.com website: www.upgradeinnovations.com
Tel: 604 984 3327 U.S. Patent 6,298,564 B1, LifetimeWarranty, Made in Canada